

**Modular Cooking Range Line  
EVO900 Electric Grill Top HP  
400mm**

ITEM # \_\_\_\_\_

MODEL # \_\_\_\_\_

NAME # \_\_\_\_\_

SIS # \_\_\_\_\_

AIA # \_\_\_\_\_



392346 (Z9GREDGS0P)

Electric grill top, half module - HP

**Short Form Specification**

**Item No.** \_\_\_\_\_

Heating via incoloy armoured heating elements positioned under the cooking grid. Cooking surface grids are easily removable for cleaning. Heating elements can be tilted. Integrated water tap. Fixed well with drain. Extra strength work top in heavy duty 2 mm stainless steel. Right-angled side edges to allow flush-fitting junction between units. WRAS compliant. 380-400 V.

**Main Features**

- Incoloy armoured heating elements positioned under the cooking grid.
- Each bank of elements has an independent power regulation through a control knob.
- Power indicator light.
- Fixed well with drain to collect residual cooking juices and grease.
- Large drain protected by overflow and filter.
- Water must be added to well before operation.
- Led warning indicator to give an alarm when well is empty.
- Water filling tap with knob control.
- Removable stainless steel deflectors to recuperate heat and reduce cooking time.
- Stainless steel splash guards on sides of cooking surface. Splash guards can be easily removed for cleaning.
- Top configuration allows installation on ambient base or refrigerated/freezer base.
- Heating elements tilt 90° for easy cleaning.
- Removable 2mm thick steel U-shaped grids in AISI 441 stainless steel for fast heating of cooking surface.
- Suitable for countertop installation.

**Construction**

- Unit is 900mm deep to give a larger working surface area.

**Included Accessories**

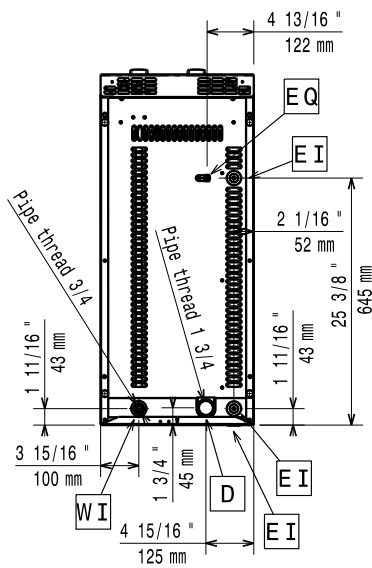
- 1 of Scraper for HP electric grill PNC 206436

**Optional Accessories**

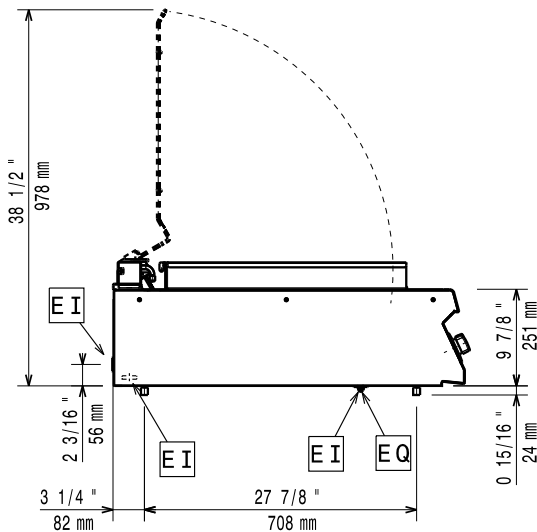
- Junction sealing kit PNC 206086
- Support for bridge type installation, 800 mm PNC 206137
- Support for bridge type installation, 1000 mm PNC 206138
- Support for bridge type installation, 1200 mm PNC 206139
- Support for bridge type installation, 1400 mm PNC 206140
- Support for bridge type installation, 1600 mm PNC 206141
- Support for bridge type installation, 400 mm PNC 206154
- Side handrail for right/left hand PNC 206165
- Frontal handrail 400 mm PNC 206166
- Frontal handrail 800 mm PNC 206167
- Large handrail (portioning shelf) 400 mm PNC 206185
- Large handrail (portioning shelf) 800 mm PNC 206186
- Frontal handrail 1200 mm PNC 206191
- Frontal handrail 1600 mm PNC 206192
- 2 side covering panels, height 250 mm, depth 900 mm PNC 206321
- Scraper for HP electric grill PNC 206436
- Drain extension for electric grill HP PNC 206437

APPROVAL: \_\_\_\_\_

**Top**

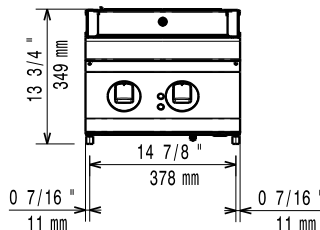


**Side**



- D** = Drain
- EI** = Electrical inlet (power)
- EQ** = Equipotential screw
- WI** = Water inlet

**Front**



**Electric**

<b>Supply voltage:</b>	380-400 V/3N ph/50/60 Hz
	380-400V 3N~ 50/60Hz
<b>Predisposed for:</b>	5.4-5.8kW
<b>Electrical power, max:</b>	5.8 kW

**Key Information:**

If appliance is set up either next to or against temperature sensitive furniture or similar, a safety gap of approximately 150 mm should be maintained or some form of heat insulation fitted.

<b>External dimensions, Width:</b>	400 mm
<b>External dimensions, Depth:</b>	900 mm
<b>External dimensions, Height:</b>	250 mm
<b>Net weight:</b>	52 kg
<b>Shipping weight:</b>	51 kg
<b>Shipping height:</b>	400 mm
<b>Shipping width:</b>	500 mm
<b>Shipping depth:</b>	1020 mm
<b>Shipping volume:</b>	0.2 m <sup>3</sup>
<b>Certification group:</b>	HEG9E1
<b>Cooking surface width:</b>	345 mm
<b>Cooking surface depth:</b>	598 mm